

Aviation Antenna HX-CA3603A

HIGH PRECISION COMPACT GNSS ANTENNA FOR AVIATION



HIGH PHASE CENTER STABILITY

HX-CA3603A features a multi-point feeding design to achieve greater phase center stability. It effectively improves measurement accuracy and provides better positioning solution.

TRACKING IN CHALLENGING ENVIRONMENTS

The ability to receive low elevation signals with high gain and wide beam width makes HX-CA3603A a suitable choice for tracking visible satellites and provide stable and precision GNSS data under different flight attitudes.

STRONG ANTI-INTERFERENCE PERFORMANCE

The antenna LNA features an excellent out-of-band rejection performance, which can suppress the electromagnetic interference, providing the stability and reliability of GNSS signals. Also it effectively avoids disconnection dangerous when receivers are being interfered by wireless communication systems, for example power grid, communication base station or radio modem applications.

SMALL SIZE WITH RUGGEDIZED STRUCTURE

The dimension of HX-CA3603A is only 90*36.3mm (without connector) with a light weight of 130 gram, which makes it ideal to be placed over the professional drones, unmanned vessels or where high precision operations are needed. The IP67 ruggedized cover can protect the antenna from dust and water, furthermore ensure long-time outdoor operation due to its patented waterproof and breathable design.

KEY FEATURES

- Support GPS, Galileo, Glonass, Beidou signal reception
- Stable phase center guarantees the accuracy of positioning within millimeter-level
- Strong anti-interference ability to endure the challenging operating environments
- Small form factor with IP67 ruggedized structure

Aviation Antenna HX-CA3603A

PERFORMANCE

Signal Received

GPS	L1
Galileo	E1
GLONASS	L1
BDS	B1

Nominal Impedance

50Ω

Polarization

RHCP

Axial Ratio

≤3dB

Gain at Zenith (90°)

1164-1300MHz	3dBi(maximum)
1525-1615MHz	4dBi(maximum)

LNA Gain

36±2dB(typical)

Noise Figure

≤2dB

Output/Input VSWR

≤2.0

Operation Voltage

+3.3VDC to +12VDC

Operation Current

35mA(maximum)

Group Delay Ripple

<5ns

MECHANICAL

Dimensions

φ90*36.3mm

Connector

SMA female

Weight

≤130g

Mounting

4 M4 screws installation

ENVIRONMENTAL

Temperature

Operating	-40°C to +85°C
Storage	-55°C to +85°C

Humidity

95% non-condensing

Water/Dust Resistance

IP67

Regulatory Compliance

CE, FCC, RoHS, REACH

For the most recent details of this product:

<https://en.harxon.com/products-detail.php?Proid=96>

en.harxon.com

sales@harxon.com

9/F, Block B, Building D3, TCL International
E City, NO.1001 Zhongshanyuan Road,
Nanshan District, Shenzhen, China

Tel: +86-755-26989948

Fax: +86-755-26989994

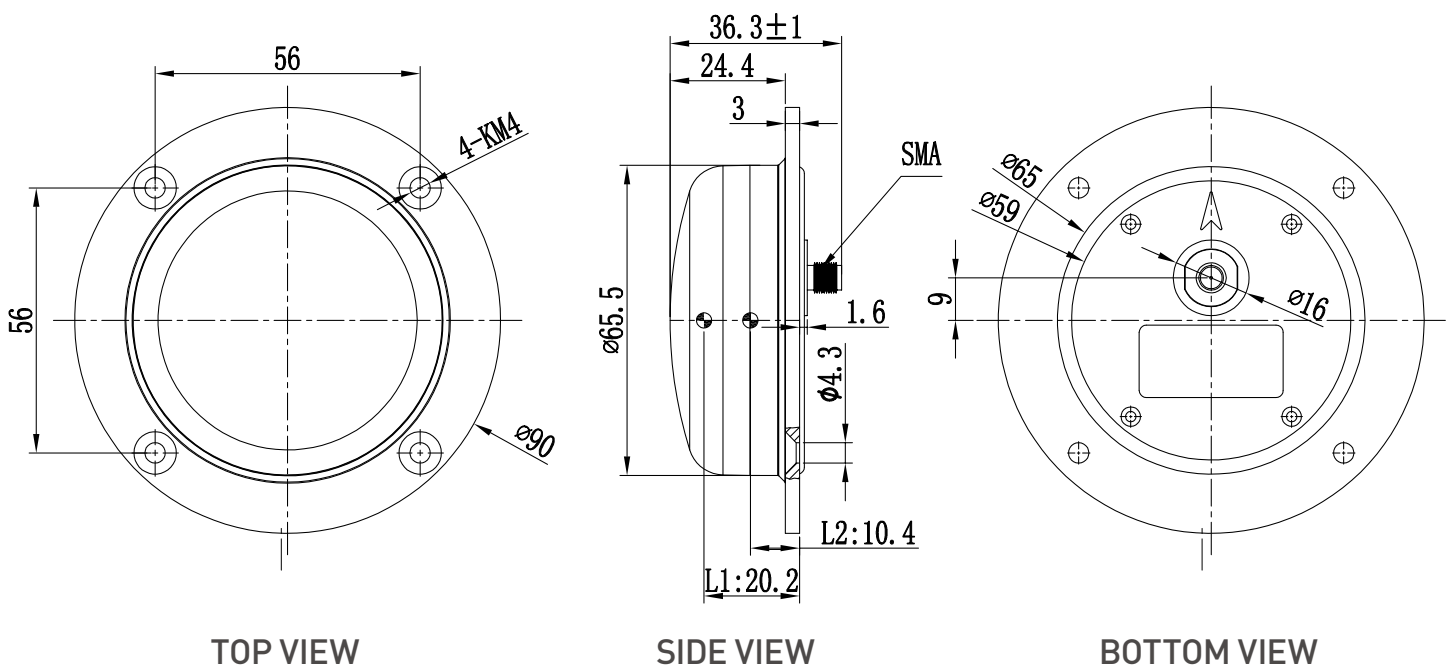
Version 1 Specifications subject to change without notice.

©2021 Harxon Corporation. All rights reserved.

Printed in China

June 2021

Structure& Phase Center Drawing (mm)



Undeclared tolerance:±0.3mm